

RS-485 to RS-485/RS-422 ISOLATED CONVERTER

DCRR-0110

APPLICATIONS

- RS485 Repeater or Hub
- Data collection & security terminals:
 - Time Recorders
 - Warehouse Terminals
 - Shop floor automation Terminals
 - Access Control Terminals
- Remote Sensors & Meters:
 - Power monitors
 - Power monitors
 - Environmental monitors
 - Temperature monitors
- Auto-ID Scanners:
 - Barcode Scanners
 - Magnetic Card Readers



FEATURES

Support Interface

RS-485 x 1, up to 115.2Kbps.
RS485/RS422 x 1, up to 115.2Kbps.

RS485 Interface

Rs485 transmission capacity, typically the distance is 4,000 feet, around 1.2 kilometers
The number of RS485 connected devices should not exceed 32 typically, but if the transmission conditions are good, it can exceed 32 devices.

Terminator

DIP Switch selectable 120ohm terminator.

Security

Setup Login in Password Protect
Access Password Protect
Firmware Upgradeable
Support New Version Firmware Upgradeable

Low Power Consumption

Less than 2W Power Consumption

High Reliability

RTOS inside, Build in Watchdog, Power Good,
Software Watchdog Working 24Hours per day

Low Cost

SPECIFICATION

Serial Interface

- ◆ Number of Ports 2
- ◆ Serial Standards RS485,RS485/RS422
- ◆ Connectors Terminal Block
- ◆ ESD Protection 15 kV for all signals
- ◆ RS-485 Data Direction Control automatic data direction control

Serial Communication Parameters

- ◆ Data Bits 7, 8
- ◆ Stop Bits 1, 2
- ◆ Parity None, Even, Odd, Space, Mark
- ◆ Flow Control -
- ◆ Baud rate Auto Baudrate

Serial Signals

- ◆ RS-232 -
- ◆ RS-422 RX+, RX-, TX+, TX-
- ◆ RS-485-2w Data+, Data-

Physical Characteristics

- ◆ Housing PC

- ◆ Weight 300 g
- ◆ Dimensions Without ears: 33 x 80 x 102 (L x W x H) mm
- With ears: 33 x 94 x 102 (L x W x H) mm

Environmental Limits

- ◆ Operating Temperature 00 to 60°C (32 to 140°F)
- ◆ Storage Temperature -40 to 85 °C (-40 to 185°F)
- ◆ Ambient Relative Humidity 5 to 95% (non-condensing)
- ◆ Altitude Up to 2000 m (795 hPa), higher altitudes on demand

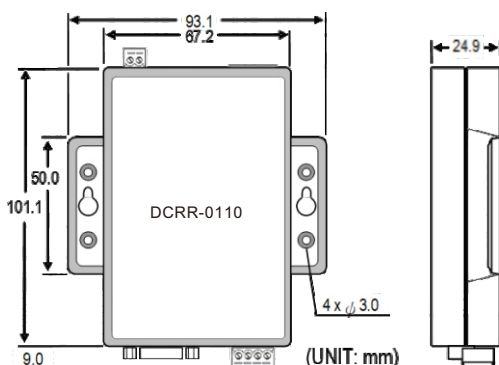
Power Requirements

- ◆ Input Voltage 12 to 30 VDC, No Polarity
- ◆ Power Connector Terminal block
- ◆ Power Consumption 110 mA @ DC24V
- ◆ Isolation 2KV

Standards and Certifications

- ◆ EMC CE

DIMENSIO



Connection

