

# 溫度/濕度信號傳送/警報控制器

(TEMPERATURE & HUMIDITY SIGNAL TRANSMITTER & CONTROLLER METER RELAY)

MODEL  
THM



## ■特點(FEATURES)

- 精確度±0.15%(溫度),±1%RH(濕度)(Accuracy±0.15%°C(Temperature),±1%RH(Humidity))
- 測量範圍-40~+120°C(溫度),0~100%RH(濕度)  
(Measuring -40~+120°C(Temperature),0~100%RH(Humidity))
- 超快速反應速度20秒內(0~90%在空氣流速>1M/s)  
(Response time within 20 second (0~90% at 1M/s air flow))
- 兩組12BIT類比輸出功能(Two 12bit DAC analog output function)(option)
- 兩組警報控制功能(Two alarm controller function)(option)
- 數位RS-485界面(Digit RS-485 interface function)(option)
- 防護等級NEMA 4/IP65(Protection class NEMA 4/IP65)

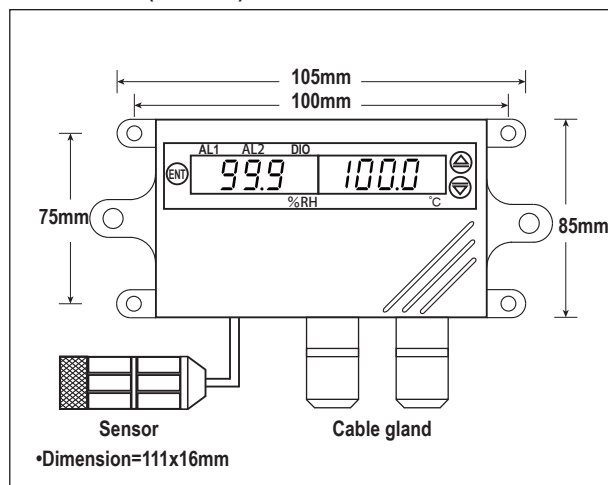
1. MODEL: THM-□□□□  
(選購型號)

NO	Alarm output	NO	Analog output	NO	RS-485	NO	Output cable length
0	None	N	None	N	None	A	1M standard
2	Two(Relay)	1	DC4~20mAx2	Y	RS-485	B	Customer
3	Two(Tr.NPN)	2	DC0~10Vx2		•Modbus mode		•3 cond.+shield #28AWG,PVC
		9	SPECIFIED		•256 nodes on bus		•MAX.8M

## 2. SPECIFICATION(主要規格)

- Measuring accuracy (精確度): ±1%RH(10~80%RH)(Humidity)  
±1.5%RH(10~90%RH)(Humidity)  
±2%RH(0~10% & 90~100%RH)(Humidity)  
±0.15°C(0~+50°C)(Temperature)  
±0.3°C(-40~0°C & +50~+120°C)(Temperature)
- Supply voltage (輔助電源): DC24V±10%(<2.2VA)
- Readout (compare)range (顯示值(比較值)範圍): :0.0~99.9/100RH%(Humidity)  
-40.0~120.0°C(Temperature)
- Relay output mode (繼電器輸出模式): :HI or Lo adjustable
- Relay contact output (繼電器容量): :AC250V-2.5A,DC30V-5A
- Transistor output type (電晶體輸出型式): :Photo couple of open-collector (Max.DC30V/40mA)
- Analog output resolution (類比輸出解析度): :12 bit DAC
- Output drive capability (輸出負載能力): :<10mA for voltage mode  
<10V for current mode
- Response time (輸出反應時間): :20 second (0~90% at 1M/s air flow)
- RS-485 address (通訊位址): : "00" ~ "FF" (0~255)
- RS-485 baud rate (傳輸速度): : 19200/9600/4800/2400 selective
- RS-485 protocol (通信協議): : Modbus RTU mode
- Repeatability (重複性): : ±0.04%RH(Humidity)  
±0.08°C(Temperature)
- Long-term drift (長時間穩定度): : ±0.2%RH/Year(Humidity)  
±0.03°C/Year(Temperature)
- Display (顯示幕): : Red high efficiency LEDs high 8.0mm(0.32")
- Parameter setting (參數設定方式): : Touch switches
- Memory mode (記憶型式): : Non-volatile E<sup>2</sup>PROM memory
- Dielectric strength (絕緣耐壓能力): : 1KVac/1 min.(power/RS-485/output)
- Storage temperature (存放環境溫度): : -20~80°C (10 to 90% RH non-condensed)
- Case materials (外殼材料): : PE(Filter)  
ABS(IP65 main box)  
NYLON fire rating 94V-2(cable gland)
- Construction (安裝方式): : 3-4mm screw fixingx2
- CE EMC Certification (CE 認證): : EN 55022:1998/A1:2000 Class A  
EN 61000-3-2:2000  
EN 61000-3-3:1995/A1:2001  
EN55024:1998/A1:2001

## 3. DIMENSION(unit:mm) (外型尺寸)



## 4. TERMINAL CONNECTION (接線圖)

